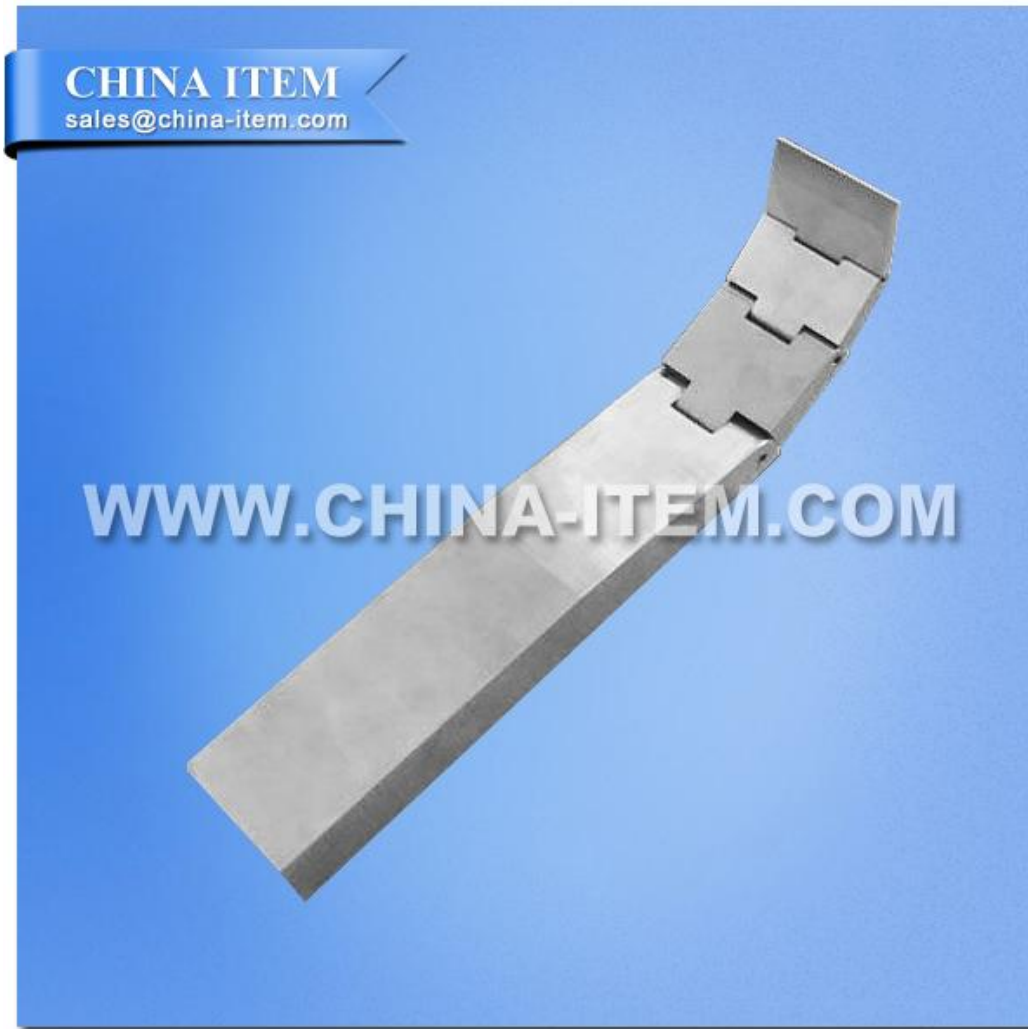


WWW.CHINA-GAUGES.COM

sales@china-gauges.com

UL 60950 Figure NAF2 and NAF3 Wedge Probe for Document Shredder Test



1. Specification :

Bent finger diameter: 12 mm

Bent finger length: 80 mm (3 section overall length)

Baffle diameter: 50 mm

Baffle length: 100 mm

Material: Stainless steel

Reference : UL60950 Fig NAF.2 and NAF.3

2. Reference standard:

UL60950 Figure NAF2 and NAF3

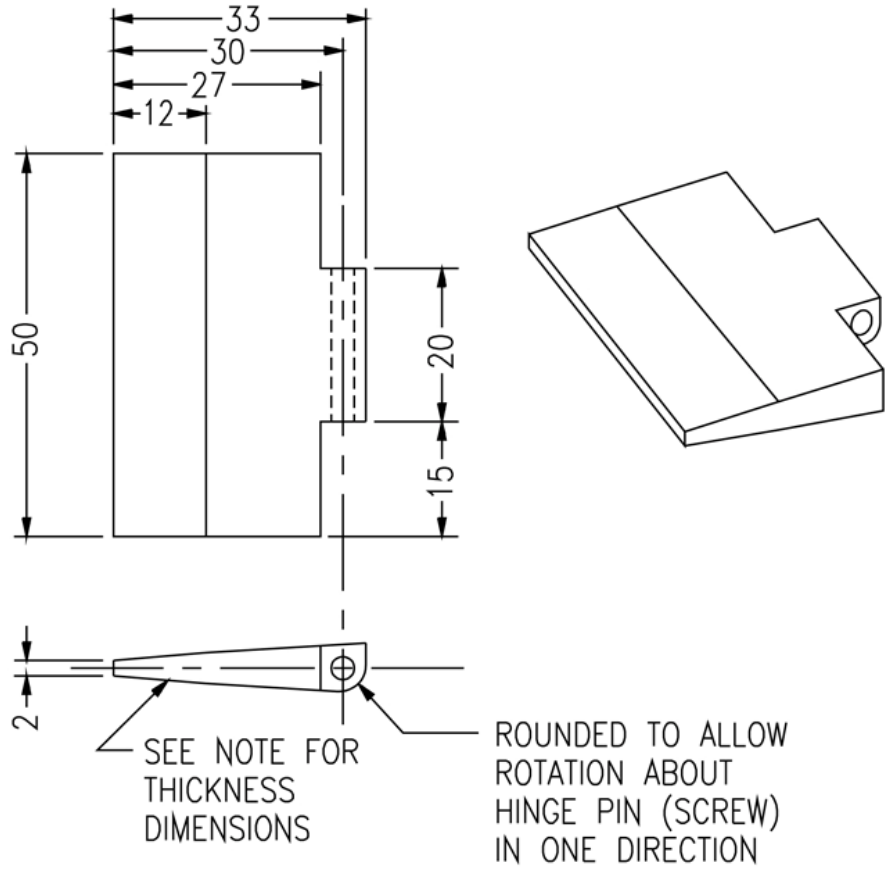
UL 60950 wedge probe for paper shredders

3. Product Details:

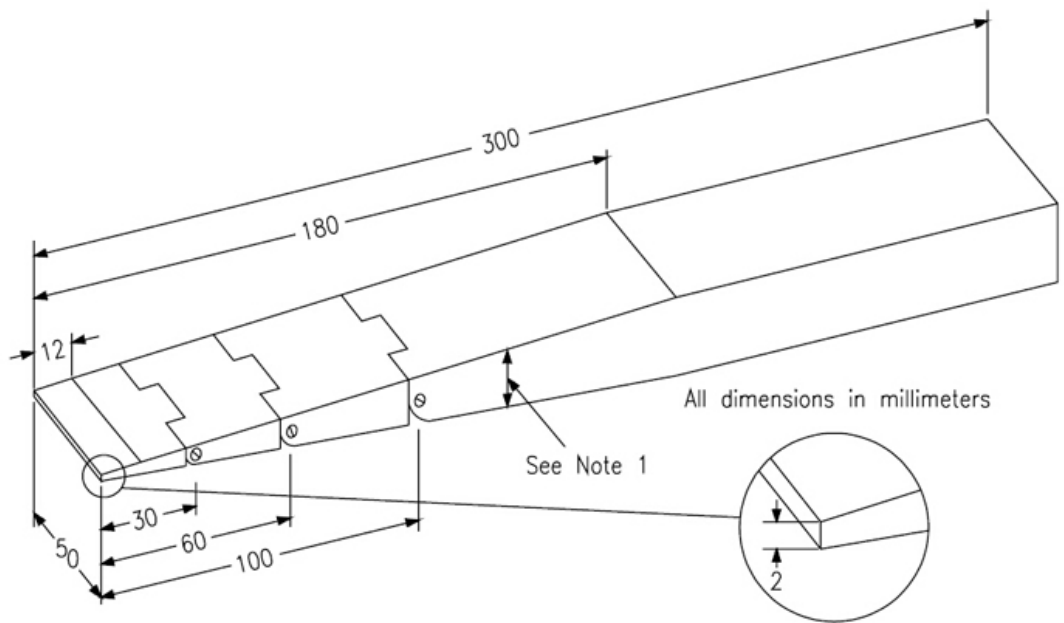
This product is used for testing access to document shredders. The Jointed Accessibility Wedge Probe is a high precision probe made in exact accordance with UL and IEC standards such as UL60950 Figure NAF2 and NAF3

UL 60950 wedge probe for paper shredders

The wedge probe is made of solid aluminum to conserve weight yet maintain rigidity. Others maintain that the tip needs to be more rigid, because of the cutting blades. This underscores their lack of knowledge of the requirements as you do not perform the test with the unit energized! No damage can occur to the probe unless the shredder is energized - - in which case there is extreme danger in performing the test! The Shredder Accessibility Probe is intended for testing paper shredders in accordance with Annex NAF of the Standard for Information Technology Equipment, UL60950-1:2006



All dimensions in millimeters
S5370



S5366